

PC Supreme Physique Unit

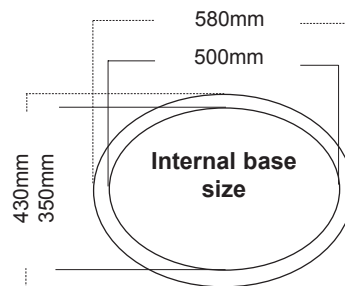
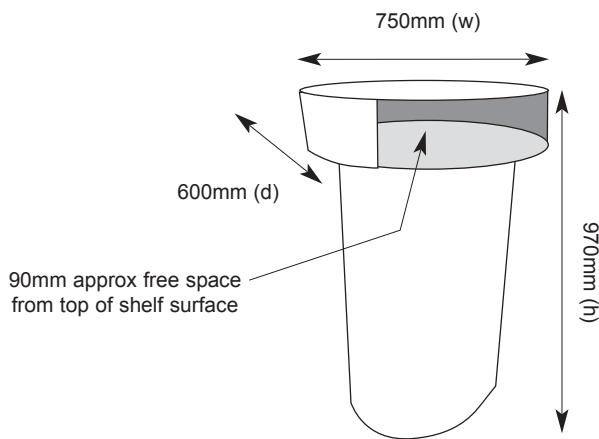
PK170



Ideal for any exhibition environment for computerised presentation, this physique unit is easy to assemble, with a handy keyboard shelf that retracts into the unit when not being used. Cable management also ensures that wires are hidden and the work area is tidy.

features & benefits

- Flat pack furniture constructed from composite materials and flexible MDF tambour
- Includes slide out keyboard shelf and cable management
- Strong and durable
- Quick and easy to assemble
- No tools required
- Load bearing upto 75kgs approx



hardware specifications	wrap specifications	additional info
<p>Hardware Dimensions (mm): 970 (h) x 750 (w) x 600 (d)</p> <p>Sliding shelf Dimensions (mm): 500 (w) x 300 (d)</p> <p>Weight: 20kg approx</p> <p>Carry bag/case Dimensions (mm): 850 x 650 x 240</p>	<p>Base Wrap Dimensions (mm): 810 (h) x 1595 (w)</p> <p>Keyboard Wrap Dimensions (mm): 120 (h) x 1935 (w)</p> <p>If applying a graphic to the wrap, an allowance should be made to its size to accommodate material type, thickness etc.</p>	<p>Availability: Choice of fabric wrap colours. Laminate colours available in black, beech or rosewood.</p> <p>Optional accessories: Carry cases, 50w LV Jack socket lighting, Internal shelving, aperture cutouts.</p>

We are continually improving and modifying our product range and reserve the right to vary the specifications without prior notice. All dimensions and weights quoted are approximate and we accept no responsibility for variance. E&OE.

Assembly Instructions



Assembly Instructions

1) Take the tambour wrap (A) and wrap half way around the base (B), taking care to align the hook fastener strips securely together - figure 1

2) Take the keyboard shelf (C) and slot into the top of the wrap then take the wrap around the rest of the base and keyboard shelf so that it joins at the back (figure 2)

3) Take the mini tambour wrap (D) and start to wrap around the top of the keyboard shelf (figure 3)

4) Slot the top shelf (E) into the mini tambour and then continue to wrap around both shelves, aligning hook fastener strips securely (figure 4 and 5)

Other products in our Physique range include:



Double D

Multi-function popular style workstation.



Single D

Designed to add useful counter space to any display.



Urban

Complete with clear acrylic display shelf.